

Closed area used during pick-up and shipment to the facility grain against possible rain and the whole machine park protects.

In addition, the optional door is installed at the entrance and exit and filling and dust during discharge is prevented from coming out.

According to the equipment to be used in the Reception Building Special designs can be made in special sizes.

## PRODUCT FEATURES

### Cladding-Exterior CladdingPaint:

Epoxy primer (Ral 7710)+Acrylic top coat (Ral 7035) (Min80 µm)

Hot Dip Galvanizing EN ISO 1461

Cladding: Trapezoidal Sheet Ral9002-0.5mm

### Material and Section Properties:

Horizontal and Cross Profiles; box, pipe profile

Columns and Beams: HEA-HEB-IPE

Material Quality Profile and Plate Materials: S235JR

Column & Beam Materials: S275JR,S355JR

### Earthquake Load:

TBDY 2018 (Turkish Building Earthquake Regulation) Snow

### Load:

TS EN 1991-1-3 Eurocode 1: Snow loads

### Wind Load:

TS EN 1991-1-4 Eurocode 1: Wind loads

### Design Standards:

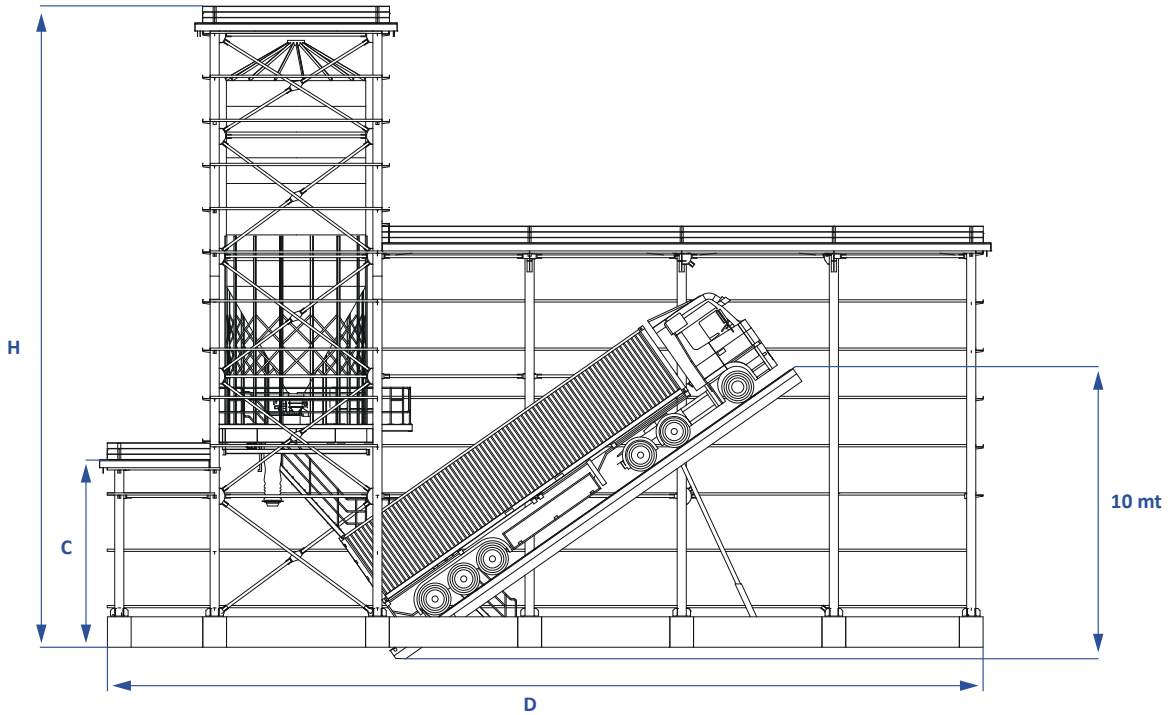
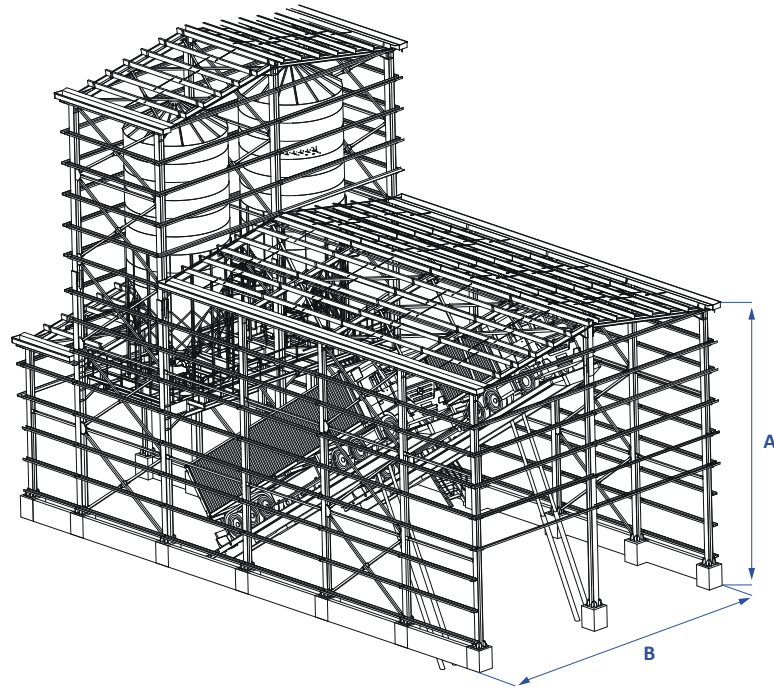
TBDY 2018 (Turkish Building Earthquake Regulation)

TS 498 (For sizing structural elements the calculation value of the loads to be used)

Design, Calculation and Construction Principles of Steel Structures

(AISC-360-10)

ÇYTHYE-2018: Design, Calculation and Calculation of Steel Structures Construction Principles



**Capacity Chart**

Model	Description	Detail	A	B	C	D	H
SC-S1401B	Reception Building 1401B	B X A X C	12	14	6	28	16
SC-S1402B	Reception Building 1402B	B X A X C	12	14	6	28	19

- Mysilo; reserves the right to change the design and specifications of its products without notice.  
 - The data in the tables are approximate.