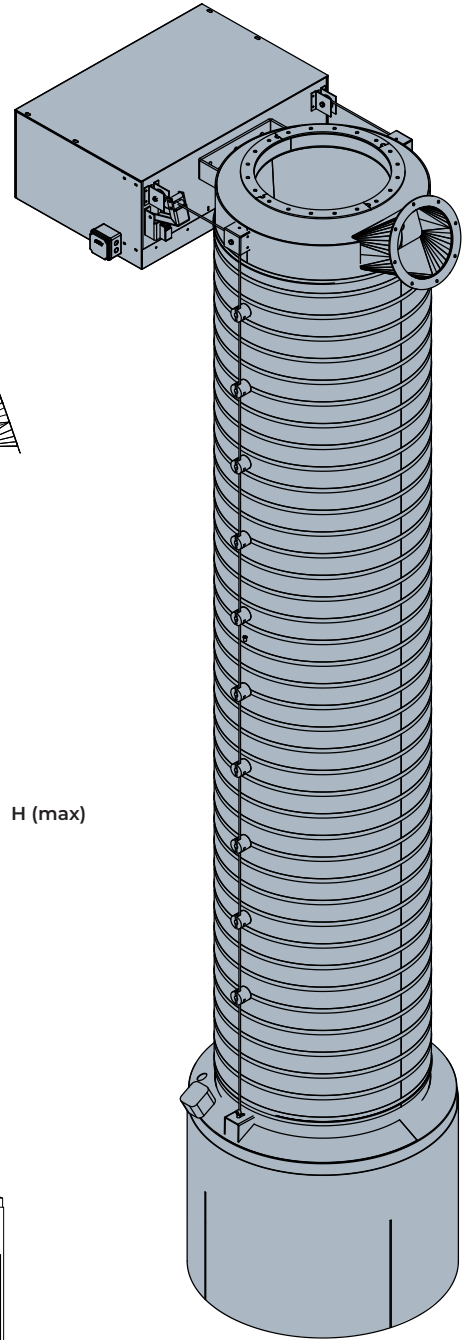
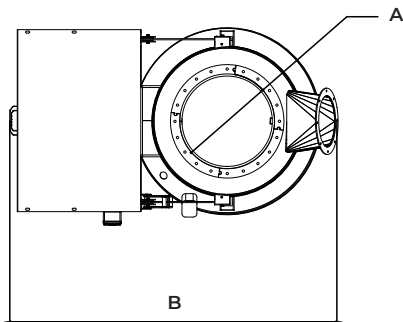
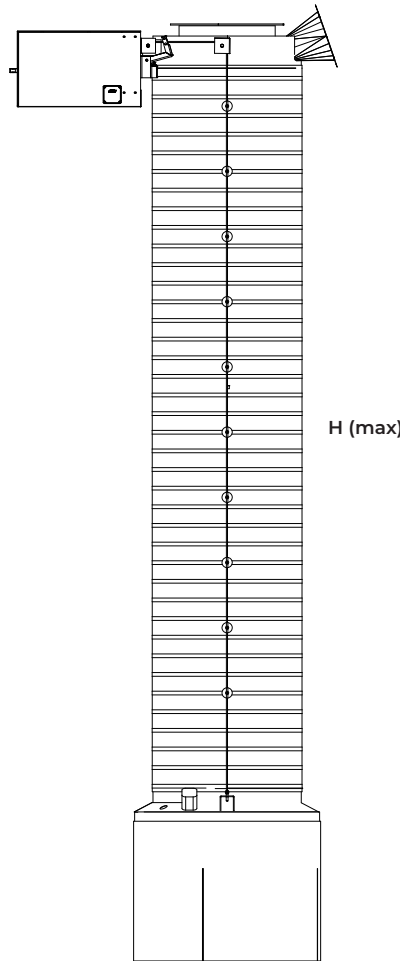
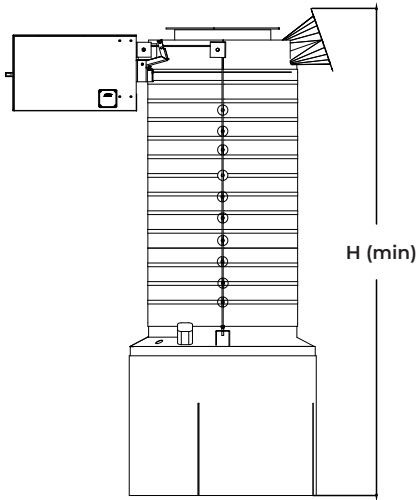


PRODUCT FEATURES

The telescopic truck loading pipe is used for dusting the grains taken from the silo or transport equipment (conveyor, elevator, etc.). It allows it to be loaded onto trucks without an exit. As the grains fill into the truck bed, the bellows is automatically shortened in length.

An integrated filter system can be mounted on the telescopic loading pipe or it can be connected to the dust collection system on the facility. A double-walled tarpaulin system is used. Special production is made in desired lengths.



Telescopic Loading Pipe

Model	A	H (Max)	H (Min)
TYB-K323	323	4000	1750
TYB-K508	508	5000	3000

- Dimensions are given as mm.
 - Maxporter has the right to change technical specifications.