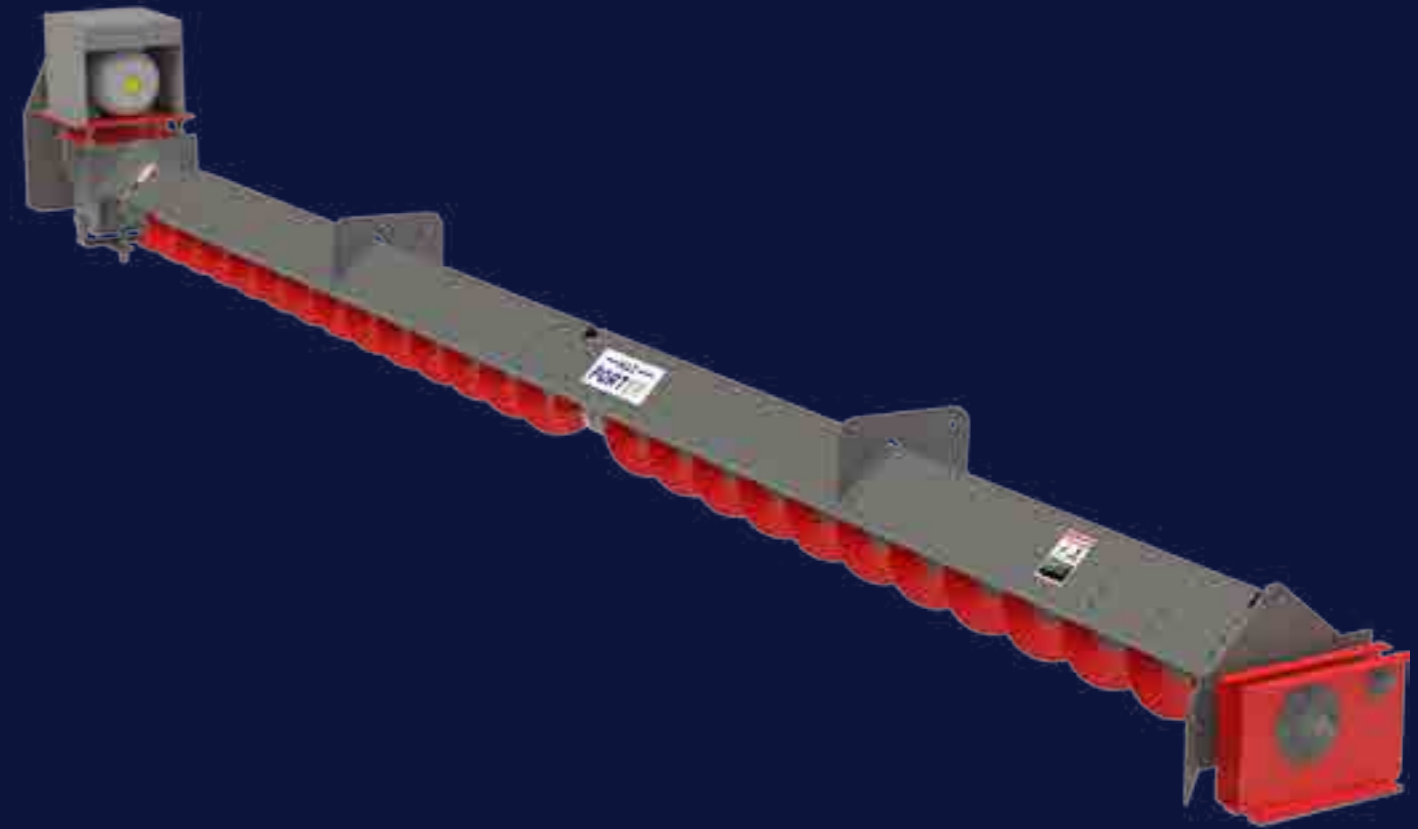


SEK SERIES SWEEP AUGER CAPACITY CHART

| SILO MODEL | SILO DIAMETER (m) | MODEL | LENGTH (m) | CAPACITY (m ³ /h) |
|------------|-------------------|-----------|------------|------------------------------|
| 6 | 5,5 | SEK-06200 | 2,55 | 50 |
| 7 | 6,41 | SEK-07200 | 3,01 | 50 |
| 8 | 7,33 | SEK-08200 | 3,47 | 50 |
| 9 | 8,25 | SEK-09200 | 3,93 | 50 |
| 10 | 9,16 | SEK-10200 | 4,38 | 50 |
| 11 | 10,08 | SEK-11200 | 4,84 | 50 |
| 12 | 11 | SEK-12200 | 5,3 | 50 |
| 13 | 11,91 | SEK-13200 | 5,76 | 50 |
| 14 | 12,83 | SEK-14200 | 6,22 | 50 |
| 15 | 13,75 | SEK-15200 | 6,68 | 50 |
| 16 | 14,66 | SEK-16200 | 7,13 | 50 |
| 17 | 15,58 | SEK-17200 | 7,59 | 50 |
| 18 | 16,49 | SEK-18200 | 8,05 | 50 |
| 19 | 17,41 | SEK-19200 | 8,51 | 50 |
| 20 | 18,33 | SEK-20200 | 8,97 | 50 |
| 21 | 19,24 | SEK-21200 | 9,42 | 50 |
| 22 | 20,16 | SEK-22200 | 9,88 | 50 |
| 23 | 21,08 | SEK-23200 | 10,34 | 50 |
| 24 | 21,99 | SEK-24200 | 10,8 | 50 |
| 25 | 22,91 | SEK-25200 | 11,26 | 50 |
| 26 | 23,83 | SEK-26200 | 11,72 | 50 |

SEK SERIES SWEEP AUGER



- * Dimensions are given in meters.
- * The capacity has been taken as m³/h.
- * The values in the chart are approximate.
- * Maxporter has the right to change technical specifications.

SA-2003

MYSILO GRAIN STORAGE SYSTEMS INC. CO.
Erenler OSB Mah. Recep Tayyip Erdoğan Blv. No : 30 Aksaray / TURKEY
info@mysilo.com www.mysilo.com
T : +90(382) 266 22 45 F : +90(382) 266 22 52

MYSILO

ISO 9001 - 14001

OHSAS 18001

CERTIFIED

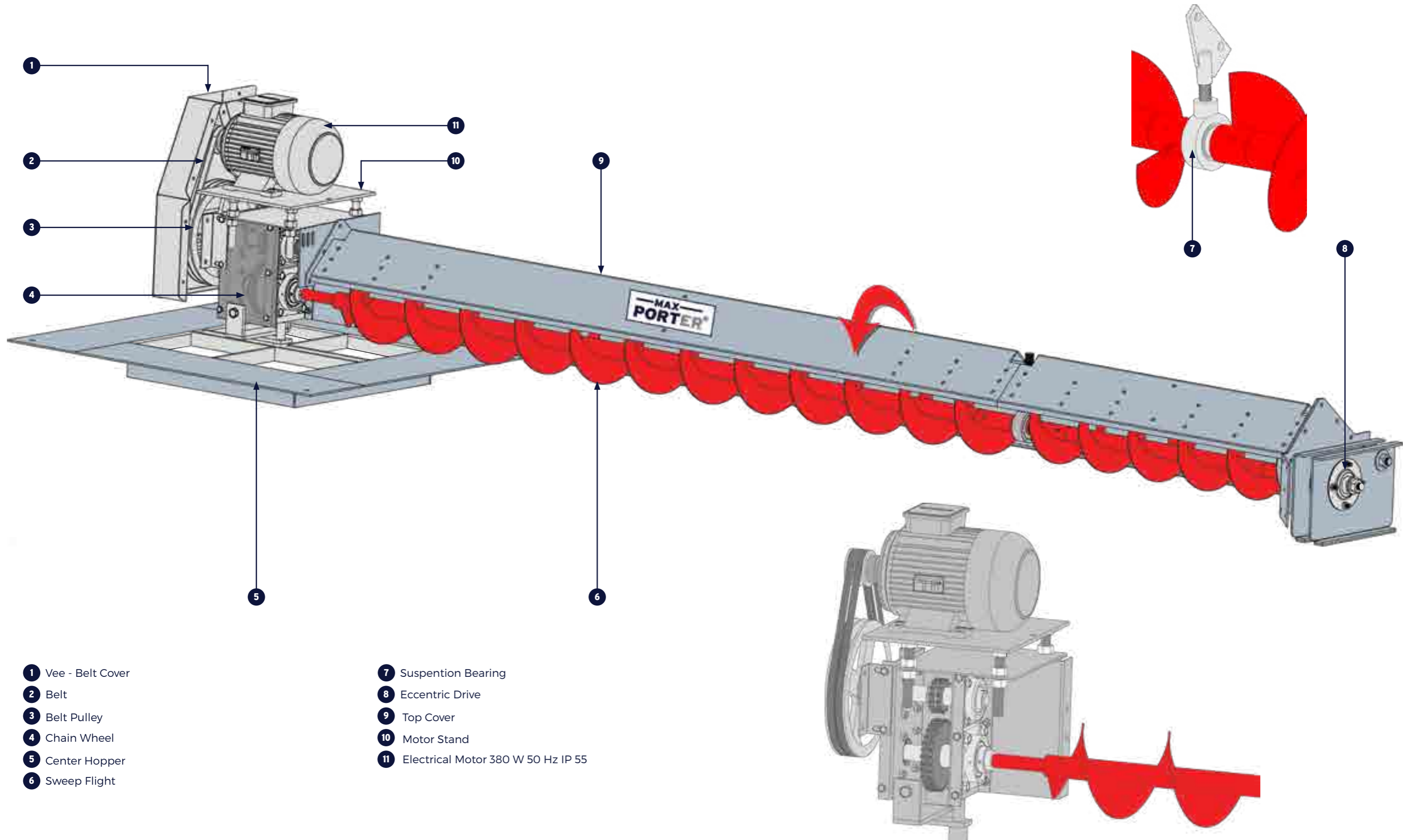


MYSILO®

—MAX—
PORTER®

SEK MODEL SWEEP AUGER

Maxporter SEK Model Sweep Augers allow to discharge the grain in the flat bottom silos; which cannot be discharged with natural flow, by delivering the grain to flow point. By the special design of its driver, it transmits the movement which is taken by the spiral shaft, to its driver. Through the eccentric movement, it advances by taking steps. It provides 360° rotation on its axis. In general, our product is sensitive to the environment and complies with occupational health and safety regulations. It has CE certificates.



- 1 Vee - Belt Cover
- 2 Belt
- 3 Belt Pulley
- 4 Chain Wheel
- 5 Center Hopper
- 6 Sweep Flight

- 7 Suspension Bearing
- 8 Eccentric Drive
- 9 Top Cover
- 10 Motor Stand
- 11 Electrical Motor 380 W 50 Hz IP 55